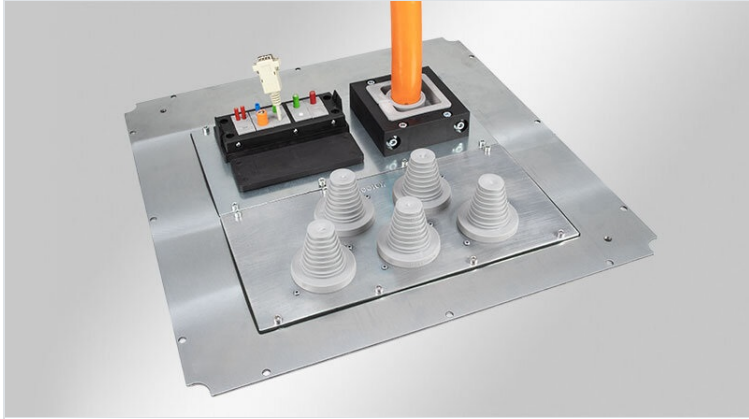


KDR-BMP enclosure base plate for module plates

for Rittal TS 8 & Rittal VX25 enclosures / IP54



The KDR-BMP gland plates are ideally suited for Rittal TS 8 / VX25 enclosures and can be used instead of the 3 piece standard gland plates. Rittal standard mounting clips / screws are used for fixing the plate.

On KDR-BMP gland plates, our MP Module Plates MP can be easily mounted and used for installation of cable entry components.

IP54

RoHS
compliant

REACH
COMPLIANCE

Made in
Germany

Specifications

IP rating (EN 60529)

IP54

Material

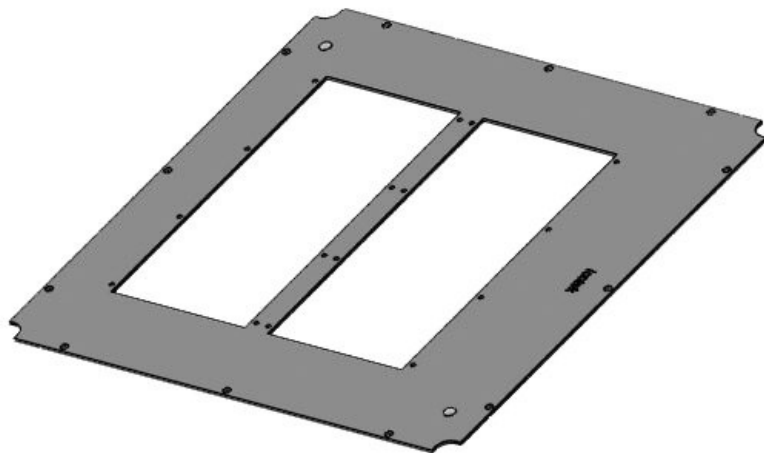
Steel, zinc plated

Advantages & Benefits

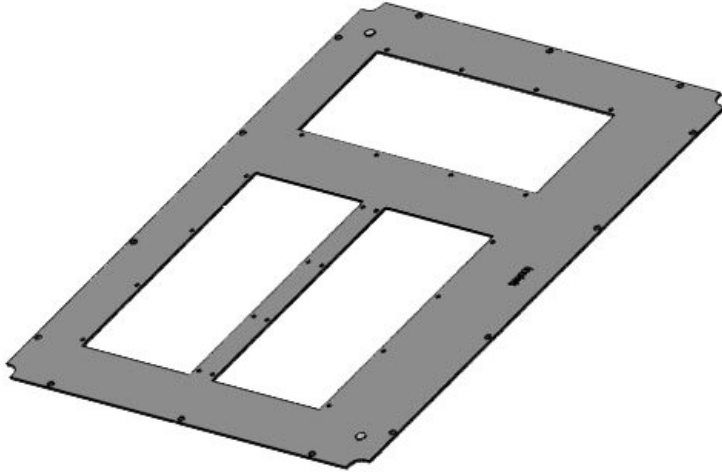
- Easy assembly and removal
- No additional sheet metal work required

Product types & Sizes

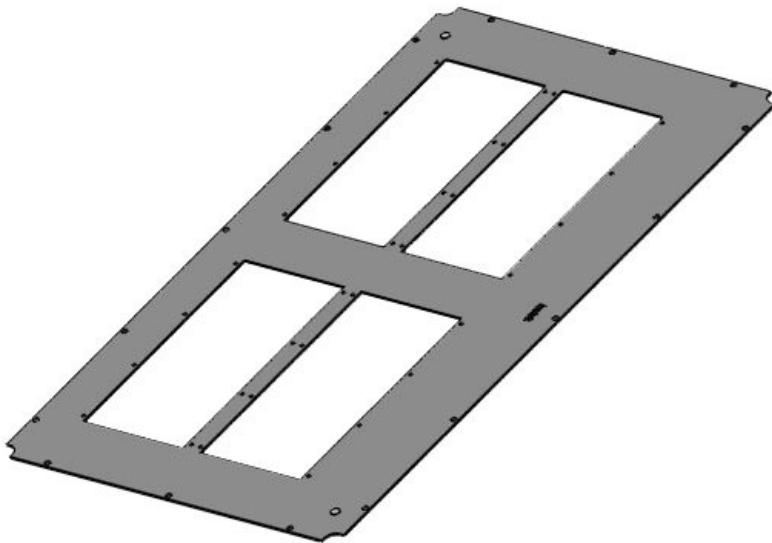
KDR-BMP-VX25 600|600



Part No.	43334	Length	487 mm
EAN	4251269321	For enclosure width	600 mm
	641	For no. of module plates	2
Package quantity	1		
Width	487 mm		
Height	8,5 mm		
For enclosure depth	600 mm		
Suitable for enclosure	Rittal VX25		

KDR-BMP-VX25 800|600

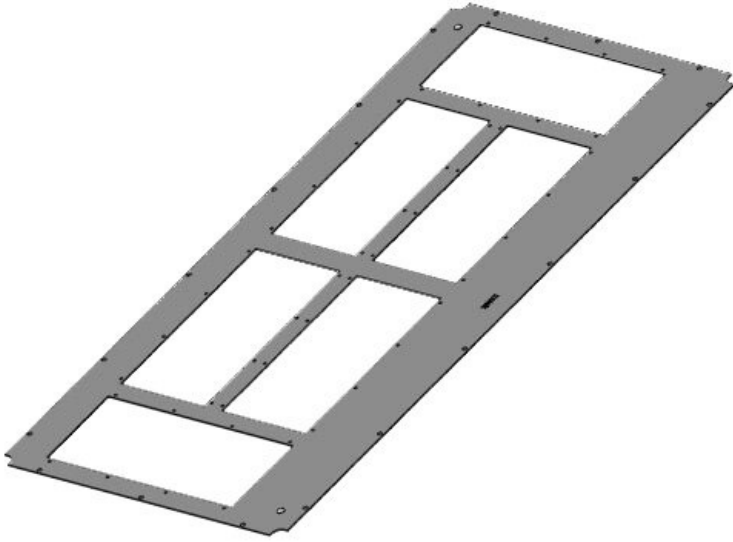
Part No.	43340	Length	687 mm
EAN	4251269321	For enclosure width	800 mm
	658		
Package quantity	1	For no. of module plates	3
Width	487 mm		
Height	8,5 mm		
For enclosure depth	600 mm		
Suitable for enclosure	Rittal VX25		

KDR-BMP-VX25 1000|600

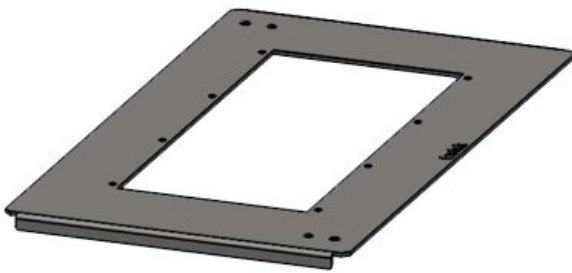
Part No.	43346	Length	887 mm
EAN	4251269321	For enclosure width	1.000 mm
	665		
Package quantity	1	Division bar	no
Width	487 mm	For no. of module plates	4
Height	8,5 mm		
For enclosure depth	600 mm		
Suitable for enclosure	Rittal VX25		

KDR-BMP-VX25 1200|600

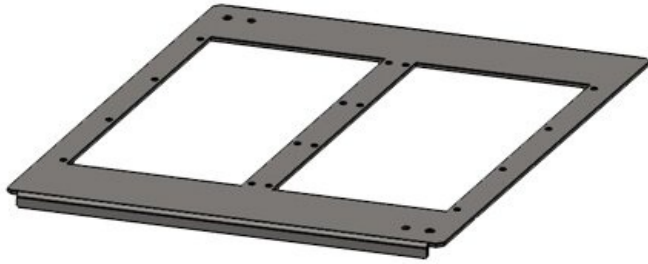
Part No.	43352	Length	1.087 mm
EAN	4251269321	For enclosure width	1.200 mm
	672		
Package quantity	1	Division bar	no
Width	487 mm	For no. of module plates	6
Height	8,5 mm		
For enclosure depth	600 mm		
Suitable for enclosure	Rittal VX25		

**KDR-BMP-TS8 600|400**

Part No.	43300	For enclosure width	600 mm
EAN	4251269309	For enclosure depth	400 mm
	663		
Package quantity	1	Division bar	no
Height	12 mm	For no. of module plates	1
Suitable for enclosure	Rittal TS 8		
Length	468 mm		
Width	262 mm		

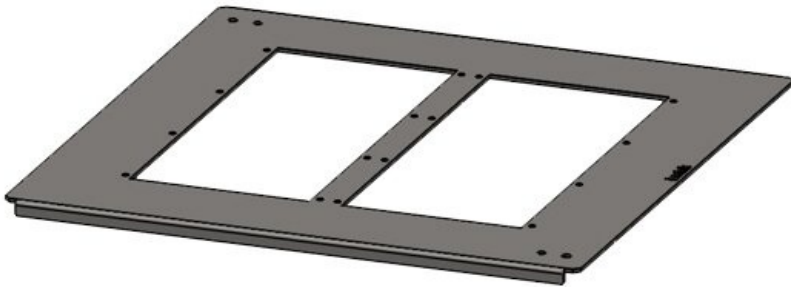


KDR-BMP-TS8 600|500



Part No.	43302	For enclosure	600 mm
EAN	4251269309	width	
	670	For enclosure	500 mm
Package	1	depth	
quantity		Division bar	no
Height	12 mm	For no. of	2
Suitable for	Rittal TS 8	module plates	
enclosure			
Length	468 mm		
Width	362 mm		

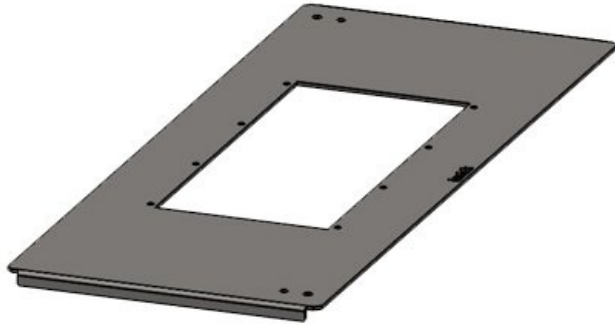
KDR-BMP-TS8 600|600



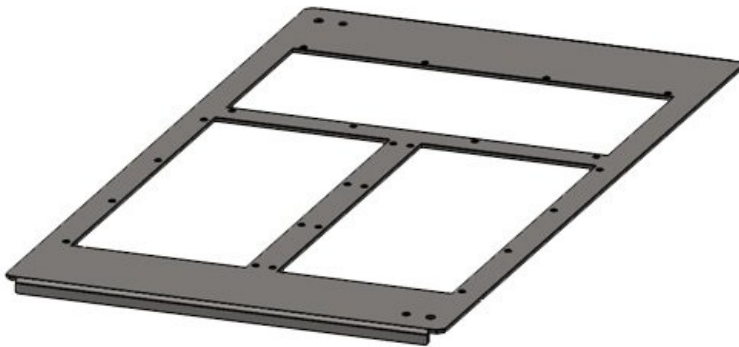
Part No.	43304	For enclosure	600 mm
EAN	4251269309	width	
	687	For enclosure	600 mm
Package	1	depth	
quantity		Division bar	no
Height	12 mm	For no. of	2
Suitable for	Rittal TS 8	module plates	
enclosure			
Length	468 mm		
Width	462 mm		

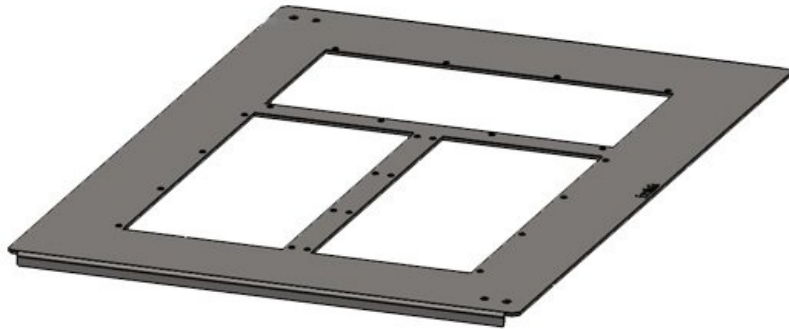
KDR-BMP-TS8 800|400

Part No.	43306	For enclosure	800 mm
EAN	4251269309	width	
	694	For enclosure	400 mm
Package	1	depth	
quantity		Division bar	no
Height	12 mm	For no. of	1
Suitable for	Rittal TS 8	module plates	
enclosure			
Length	668 mm		
Width	262 mm		

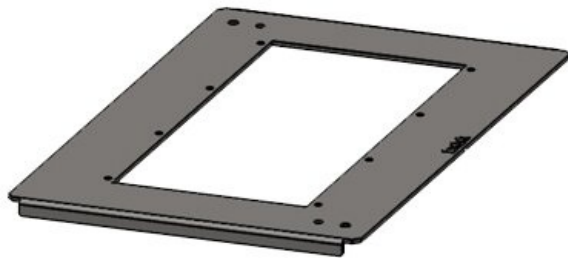
**KDR-BMP-TS8 800|500**

Part No.	43308	For enclosure	800 mm
EAN	4251269309	width	
	700	For enclosure	500 mm
Package	1	depth	
quantity		Division bar	no
Height	12 mm	For no. of	3
Suitable for	Rittal TS 8	module plates	
enclosure			
Length	668 mm		
Width	362 mm		



KDR-BMP-TS8 800|600

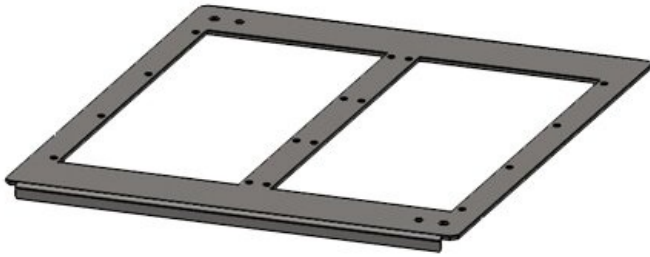
Part No.	43310	For enclosure	800 mm
EAN	4251269309	width	
	717	For enclosure	600 mm
Package	1	depth	
quantity		Division bar	no
Height	12 mm	For no. of	3
Suitable for	Rittal TS 8	module plates	
enclosure			
Length	668 mm		
Width	462 mm		

KDR-BMP-TS8 1000|400

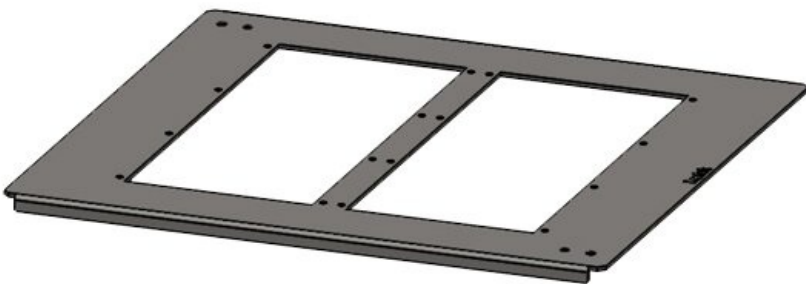
Part No.	43312	For enclosure	1.000 mm
EAN	4251269309	width	
	724	For enclosure	400 mm
Package	1	depth	
quantity		Division bar	yes
Height	12 mm	For no. of	1
Suitable for	Rittal TS 8	module plates	
enclosure			
Length	427 mm		
Width	262 mm		

KDR-BMP-TS8 1000|500

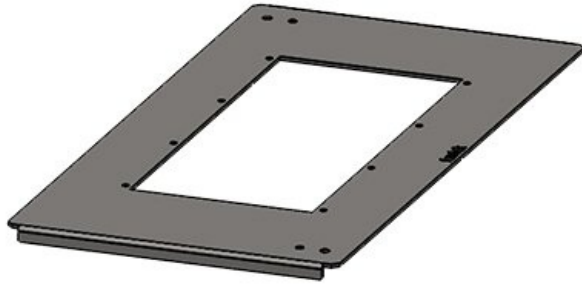
Part No.	43314	For enclosure	1.000 mm
EAN	4251269309	width	
	731	For enclosure	500 mm
Package	1	depth	
quantity		Division bar	yes
Height	12 mm	For no. of	2
Suitable for	Rittal TS 8	module plates	
enclosure			
Length	427 mm		
Width	362 mm		

**KDR-BMP-TS8 1000|600**

Part No.	43316	For enclosure	1.000 mm
EAN	4251269309	width	
	748	For enclosure	600 mm
Package	1	depth	
quantity		Division bar	yes
Height	12 mm	For no. of	2
Suitable for	Rittal TS 8	module plates	
enclosure			
Length	427 mm		
Width	462 mm		



KDR-BMP-TS8 1200|400



Part No.	43318	For enclosure	1.200 mm
EAN	4251269309	width	
	755	For enclosure	400 mm
Package	1	depth	
quantity		Division bar	yes
Height	12 mm	For no. of	1
Suitable for	Rittal TS 8	module plates	
enclosure			
Length	527 mm		
Width	262 mm		

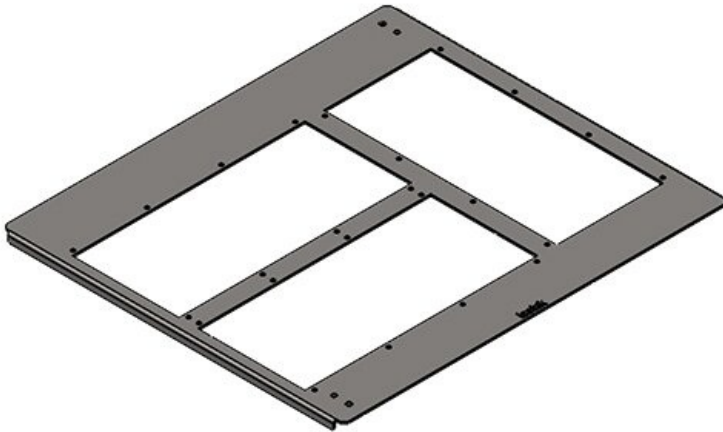
KDR-BMP-TS8 1200|500



Part No.	43320	For enclosure	1.200 mm
EAN	4251269309	width	
	762	For enclosure	500 mm
Package	1	depth	
quantity		Division bar	yes
Height	12 mm	For no. of	3
Suitable for	Rittal TS 8	module plates	
enclosure			
Length	527 mm		
Width	362 mm		

KDR-BMP-TS8 1200|600-r

Part No.	43324	For enclosure width	1.200 mm
EAN	4251269309786	For enclosure depth	600 mm
Package quantity	1	Division bar	yes
Height	12 mm	For no. of module plates	3
Suitable for enclosure	Rittal TS 8		
Length	527 mm		
Width	462 mm		



KDR-BMP-TS8 1200|600-l

Part No.	43322	For enclosure width	1.200 mm
EAN	4251269309779	For enclosure depth	600 mm
Package quantity	1	Division bar	yes
Height	12 mm	For no. of module plates	3
Suitable for enclosure	Rittal TS 8		
Length	527 mm		
Width	462 mm		

